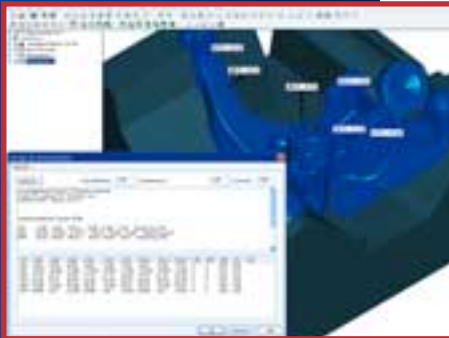
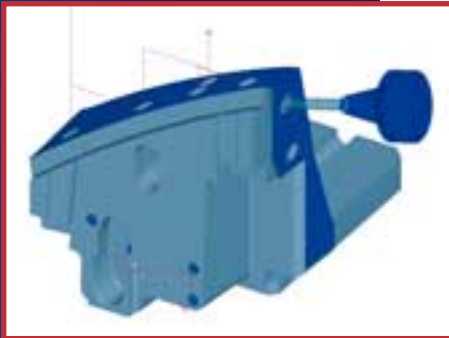
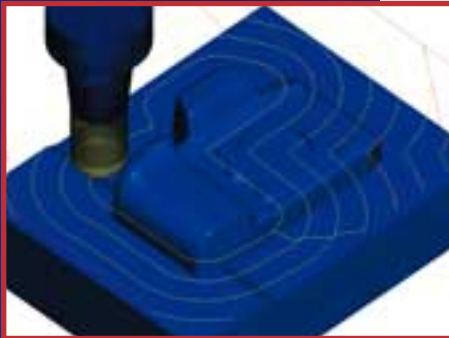


DEPO stays DEPO



## ◀◀ **DEPO**CAM V2005 (full version)

- complete 3D CAM module
- automatic 3D milling program creation
- all normal milling operations
- toolpath smothing
- post-processors freely configurable
- multi-processor capable
- Catia / Parasolid interfaces

## ◀◀ **DEPO**CAM Option (Core Rough Machining)

- automatic rough core machining
- ideal cut division
- feed optimisation

## ◀◀ **DEPO**CAM Option (Drill)

- automatic recognition of all drillholes within the CAD data
- automatic sorting according to type, size and depth
- drilling cycles incl. collision control
- wide range of different drilling cycles

## ◀◀ **DEPO**CAM Option (Inspect)

- 3D workpiece measurement and protocol records on milling machine
- measurement always vertical to 3D surface
- output with log
- incl. controller adaptation

## ◀◀ **DEPO**CAM Training Sessions

- practice-based training sessions
- modern milling strategy training (3 days)
- optimal tool usage
- worksshop oriented programming

## ◀◀ **DEPO**ALARM Machine Monitoring and Messaging

- module for machine scanning
- Heidenhain controllers above TNC 426
- controller scanning at freely definable periods
- SMS info to mobile phones

DEPO stays DEPO



◀◀ **DEPO solid carbide ball nose cutter for hard machining**

- special grind
- Ø 3 to Ø 12 in different lengths
- e.g. B20887/51H [Ø8 mm, 63 mm long]
- e.g. B21087/63H [Ø10 mm, 120 mm long]



◀◀ **DEPO solid carbide ball nose cutter for die machining**

- special grind
- Ø3 to Ø12 in different lengths
- e.g. B20887/41G [Ø8 mm, 75 mm long]
- e.g. B21287/62G [Ø12 mm, 120 mm long]



◀◀ **DEPO solid carbide cutter [ball nose and torodial]**

- product expansion
- Ø3 to Ø12 in different lengths
- e.g. B20687/44 [Ø6 mm, 80 mm long]
- e.g. T20887/56 [Ø8 mm, 150 mm long]



◀◀ **DEPO solid carbide cutter [ball nose and torodial]**

- as cylindrical version
- Ø4 to Ø12
- e.g. BZ20887/50 [Ø8 mm, 100 mm long]
- e.g. TZ21087/60 [Ø10 mm, 100 mm long]



◀◀ **DEPO solid carbide DS end & groovemilling cutter**

- product expansion
- new Ø and lengths
- e.g. DS16/45 [Ø16 mm, 100 mm long]
- e.g. N31240 [Ø12 mm, 83 mm long]



◀◀ **DEPO solid carbide screw in cutter [ball nose and torodial]**

- complete from VHM
- additional interfaces M4,5 and M7
- e.g. BW0212/7 [Ø12 mm, M7]
- e.g. T031640/10 [Ø16 mm, M10]



◀◀ **DEPO screw in cutter for DEPO Inserts [ball nose and torodial]**

- product expansion Ø16 and Ø20
- additional interfaces M4,5 und M7
- e.g. DB301620/8 [Ø16 mm, M8]
- e.g. XDT1220/7 [Ø12 mm, M7]



◀◀ **DEPO solid carbide extensions**

- product expansion Ø and lengths
- additional interfaces M4,5 and M7
- e.g. X800410 [Ø10 mm, 80 mm conical length, M4.5]
- e.g. 1601065K [Ø20 mm, 160 mm conical length, M10]



◀◀ **WSP continuous new products**

- K05 quality for processing hardened materials
- M40 quality for processing chromatised steels

VISIT US AT THE TECHNOLOGY CENTRE  
Von-Liebig-Straße 34 · 33428 Marienfeld / Germany  
Fon +49(0)52 47-98 00-0 · +49(0)52 47-98 00-40  
info@depo.de · www.depo.de